

### Features

1. Maximum reduction of power consumption is up to 75%.
2. Effectively reduce temperature rise of coil and extend service life of solenoid valve.
3. Pilot acting for low starting pressure.
4. Large flow rate and high working pressure.
5. Quick response.
6. Stainless steel stem provides exceptional durability.
7. Flange type is available for JIS 10K, ANSI 150LB and PN16.
8. Timer for setting on/off time as optional accessory.
9. CE conformity.
10. Coil nut is available, please refer to page 5-3.
11. For power save connector, please refer to page 5-6.



### How to order

E-PU225A	N	V	F	—	O3	N	—	S7
Pilot Acting	Acting style	Diaphragm	Flange type	Port size	Thread	Voltage		
	Blank : Normally closed N : Normally open	Blank : NBR V : VITON E : EPDM H : HNBR	Blank : W/O Flange F : 10K F3 : 150LB F4 : PN16	O3 : 3/8" 12 : 1 1/4" O4 : 1/2" 14 : 1 1/2" O6 : 3/4" 20 : 2" O8 : 1"	Blank : G N : NPT R : Rc	S7 : 12VDC S9 : 24VDC		

### How to order Repair kit

ZGPU225A	—	O3	N	Description	Qty.
Repair kit	Port size	Diaphragm		Plunger	1
ZGPU225A (Normally closed)	O3 : 3/8", 1/2"	N : NBR		Spring	2
ZGPU225AN (Normally open)	O6 : 3/4", 1" O12 : 1-1/4", 1-1/2" O20 : 2"	V : VITON E : EPDM H : HNBR		Diaphragm	1

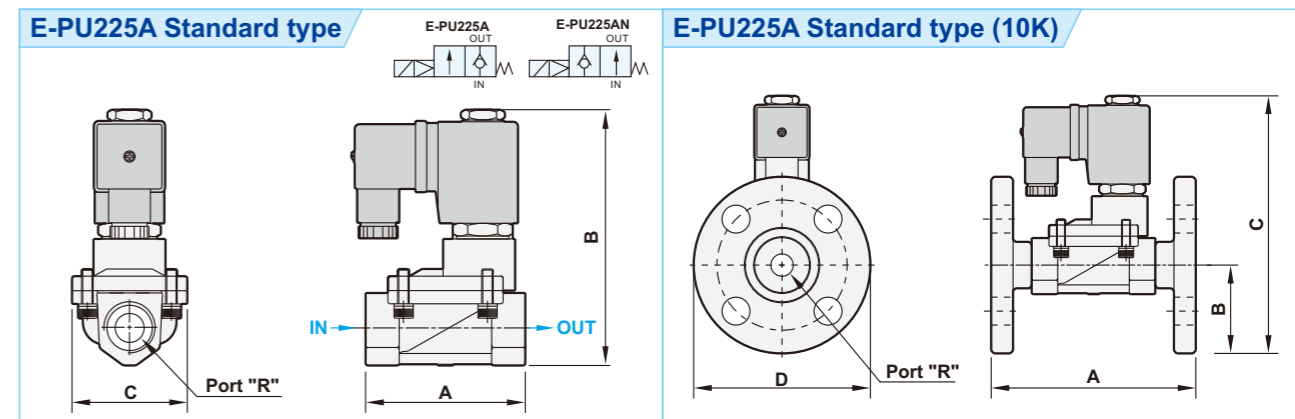
### Specifications

Model	E-PU225A-03	E-PU225A-04	E-PU225A-06	E-PU225A-08	E-PU225A-12	E-PU225A-14	E-PU225A-20
Port size	3/8"	1/2"	3/4"	1"	1-1/4"	1-1/2"	2"
Fluid	Compressed air (light oil, water)						
Orifice	13mm		25mm		38mm		50mm
Effective area	88mm <sup>2</sup>		230mm <sup>2</sup>		404mm <sup>2</sup>	552mm <sup>2</sup>	883mm <sup>2</sup>
Acting	Pilot acting						
Construction	Diaphragm						
Operating pressure range	0.5 ~ 10kgf/cm <sup>2</sup> (0.5 ~ 10.0Bar)						
Proof pressure	15 kgf/cm <sup>2</sup> (15.0Bar)						
Body / Flange material	Forged Brass / Steel SS41						
Fluid temperature	-10°C ~ 90°C						
Ambient temperature	-10°C ~ 60°C						
Installation	Horizontal						
Duty cycle	100% ED						
Coil type	DIN						
Protection class	IP65 (DIN 40 050)						
Insulation	F						
Voltage tolerance	± 10%						
Standard voltage	12VDC, 24VDC						
Power consumption	Power save 75% = 3.7W						
Net weight	775g		1550g		2820g		4665g

### Seal material selection guide

Seal	Temperature range	Suitable fluid	Unsuitable fluid
NBR	-15°C ~ 80°C	Air, Water, Neutral gases, Mineral oil	Fuel oil, Gasoline and Hi-test gasoline, Diesel fuel
HNBR	-40°C ~ 150°C	Air, Water, Gear oil, Engine oil	Pharmaceutical liquid, Gasoline and Hi-test gasoline, Light oil
VITON	-10°C ~ 180°C	Fuel oil, Gasoline and Hi-test gasoline, Diesel fuel	Hot water, Steam, Brake oil (ATE Blue)
EPDM	-5°C ~ 130°C	Hot water, Detergent liquid	Mineral oil, Gasoline

### Dimensions

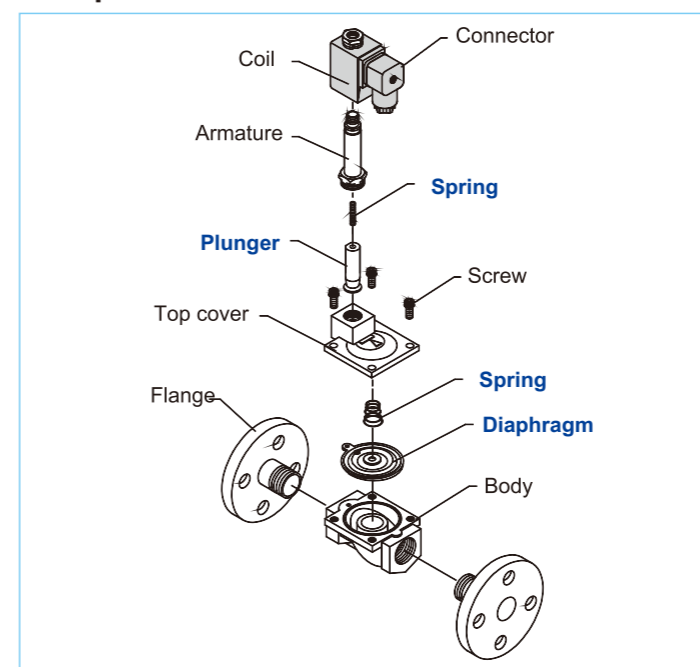


Model	R	A	B	C	(mm)
E-PU225A-03	3/8"	66.5	106.5	48.5	
E-PU225A-04	1/2"	66.5	106.5	48	
E-PU225A-06	3/4"	96	126	70.7	
E-PU225A-08	1"	96	126	70.7	
E-PU225A-12	1 1/4"	131.5	145.5	96	
E-PU225A-14	1 1/2"	131.5	145.5	96	
E-PU225A-20	2"	160	160	112	

Model	R	A	B	C	D	(mm)
E-PU225AF-03	3/8"	110	45	136	90	
E-PU225AF-04	1/2"	110	47.5	138.5	95	
E-PU225AF-06	3/4"	145	50	153	100	
E-PU225AF-08	1"	150	62.5	165.5	125	
E-PU225AF-12	1 1/4"	180	67.5	173	135	
E-PU225AF-14	1 1/2"	180	70	182.5	140	
E-PU225AF-20	2"	210	77.5	210	155	

### Explosion



### Flow chart

