

Features

1. Maximum reduction of power consumption is up to 75%.
2. Effectively reduce temperature rise of coil and extend service life of solenoid valve.
3. Quick response.
4. Timer for setting on/off time as optional accessory.
5. Coil nut is available, please refer to page 5-1, 5-3.
6. For power save connector, please refer to page 5-5, 5-6.



How to order

| E-PU220AR | V | - | 01 | 1 | N | - | S7 |
|-----------------------------|--|---|----------------------------------|---|-----------------------------|---|------------------------|
| Brass 2/2 way direct acting | Diaphragm | | Port size | Pressure | Thread | | Voltage |
| | Blank :NBR V :VITON E :EPDM H :HNBR | | 01 :1/8" 02 :1/4" 03 :3/8" | Blank :Standard 1 :High pressure 2 :Medium pressure <small>*High pressure & Medium pressure are only available for PU220AR-01 & PU220AR-02</small> | Blank :G N :NPT R :Rc | | S7 :12VDC S9 :24VDC |

How to order Repair kit

| ZGPU220AR - 01 | N | ZGPU220AR-01 | ZGPU220AR-03 |
|----------------|----------------------------|-----------------------|---|
| Repair kit | Port size | Description | Description |
| | Diaphragm | Qty. | Qty. |
| | 01 :1/8", 1/4" 03 :3/8" | Plunger 1 O-ring 1 | Plunger 1 Orifice adaptor 1 Diaphragm 1 O-ring 1 |

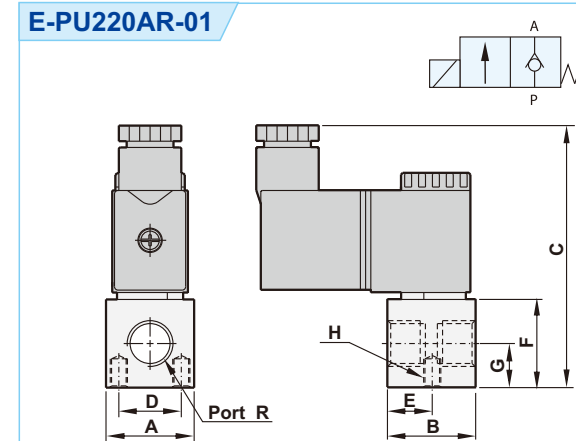
Specifications

| Model | E-PU220AR-01 | E-PU220AR-011 | E-PU220AR-012 | E-PU220AR-02 | E-PU220AR-021 | E-PU220AR-022 | E-PU220AR-03 |
|-----------------------------|---|-------------------------|-------------------------|------------------------|-------------------------|-------------------------------------|------------------------|
| Port size | 1/8" | | | 1/4" | | 3/8" | |
| Fluid | Compressed air (light oil, water) | | | | | | |
| Orifice | Ø1.5mm | Ø0.8mm | Ø1.2mm | Ø2.3mm | Ø1.2mm | Ø1.5mm | Ø8.0mm |
| Effective area | 1.8mm ² | | | 3.3mm ² | | 20.64mm ² | |
| Acting | Direct acting | | | | | Assisted lift | |
| Construction | Gasket | | | | | Diaphragm | |
| Operating pressure range DC | 0~7kgf/cm ² | 0~13kgf/cm ² | 0~10kgf/cm ² | 0~7kgf/cm ² | 0~13kgf/cm ² | 0~10kgf/cm ² | 0~7kgf/cm ² |
| Proof pressure | 10 kgf/cm ² | | | | | | |
| Body material | Brass | | | | | | |
| Fluid temperature | -10°C ~ 90°C | | | | | | |
| Ambient temperature | -10°C ~ 60°C | | | | | | |
| Installation | Any direction (Horizontal is recommended) | | | | | | |
| Duty cycle | 100% ED | | | | | | |
| Coil type | DIN | | | | | | |
| Protection class | IP65 (DIN 40 050) | | | | | | |
| Insulation class | F | | | | | | |
| Voltage tolerance | ±10% | | | | | | |
| Standard voltage | 12VDC, 24VDC | | | | | | |
| Power consumption | Power save 75% = 1.2W | | | | | Power save 75% = 3.7W (4.6W option) | |
| Net weight | 175g | | | 255g | | 510g | |

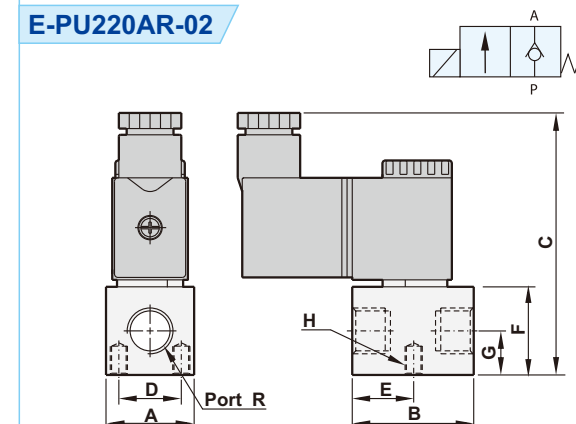
Seal material selection guide

| Seal | Temperature range | Suitable fluid | Unsuitable fluid |
|-------|-------------------|--|---|
| NBR | -15°C ~ 80°C | Air, Water, Neutral gases, Mineral oil | Fuel oil, Gasoline and Hi-test gasoline, Diesel fuel |
| HNBR | -40°C ~ 150°C | Air, Water, Gear oil, Engine oil | Pharmaceutical liquid, Gasoline and Hi-test gasoline, Light oil |
| VITON | -10°C ~ 180°C | Fuel oil, Gasoline and Hi-test gasoline, Diesel fuel | Hot water, Steam, Brake oil (ATE Blue) |
| EPDM | -5°C ~ 130°C | Hot water, Detergent liquid | Mineral oil, Gasoline |

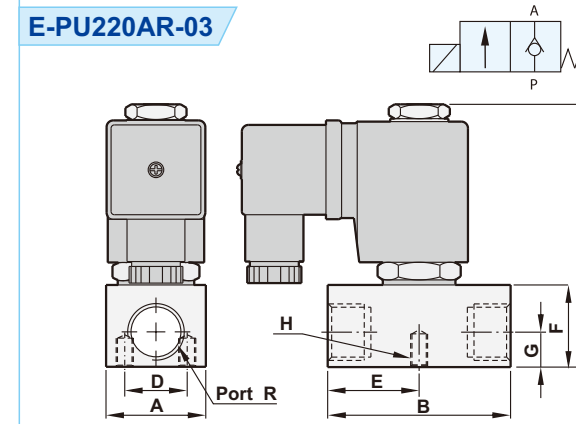
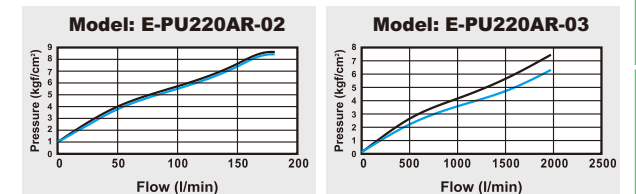
Dimensions



| Model | E-PU220AR-01 | E-PU220AR-02 | E-PU220AR-03 |
|-------|--------------|--------------|--------------|
| R | 1/8" | 1/4" | 3/8" |
| A | 22 | 25.4 | 30 |
| B | 22 | 35 | 55 |
| C | 72 | 75 | 79 |
| D | 15 | 18 | 18 |
| E | 11 | 17.5 | 27.5 |
| F | 22 | 25.4 | 25 |
| G | 7.5 | 12.7 | 11 |
| H | M4xP0.7xL6.5 | M5xP0.8xL7.0 | M5xP0.8xL7.0 |



Flow chart



Explosion

