

Features

1. Identical to ISO6430 standard.
2. High quality of aluminum tube provides a long service life.
3. High quality of seals ensures leakage free.
4. Various sensors for option.
5. With adjustable cushions on both ends.



How to order

TC	32	B	50 - SF	1 -	FA -	Y -	S	
Type	Bore size	Magnet	Stroke	Sensor type	Number of sensor	Mounting parts	Rod end joint	Rod material
TC :ISO6430 standard type	32 : φ 32	B :W/I magnet		Blank :W/O sensor	1 pc	Blank :W/O mounting parts	Blank :W/O rod end joint	Blank :S45C
TCD:Double piston rod type	40 : φ 40	C:W/O magnet		SF :LED in front	2 pcs	FA :Front flange	Y :Double knuckle joint	S:SUS304
TCA:Stroke adjustable 25mm	50 : φ 50			AL-20R/N/P		FB :Rear flange	I :Single knuckle joint	
TCB:Stroke adjustable 50mm	63 : φ 63			ST:LED on top		CA :Male clevis	P :Eyebolt floating joint	
	80 : φ 80			AL-21R/N/P		CB :Female clevis	T :Basic floating joint	
	100 : φ 100					LB :Foot mounting	L :Axial foot type floating joint	
							F :Flange type floating joint	

*For φ TC32~φ TC100 non-rotated type, please contact our sales.

*Please refer to P3-185~P3-186 *Repair kit to P3-31

How to order mounting parts

ZI	FA -	32
TC series	Mounting parts	Bore size
	FA :Front flange	32 : φ 32
	FB :Rear flange	40 : φ 40
	CA :Male clevis	50 : φ 50
	CB :Female clevis	63 : φ 63
	LB :Foot mounting	80 : φ 80
		100 : φ 100

*Please refer to P3-30~P3-31

How to order rod end joints

ZNF	Y -	M10
	Rod end joint	Thread size
	Y :Double knuckle joint	M10 :M10xP1.25 (TC32)
	I :Single knuckle joint	M12 :M12xP1.25 (TC40)
	P :Eyebolt floating joint	M16 :M16xP1.5 (TC50, 63)
	T :Basic floating joint	M20 :M20xP1.5 (TC80, 100)
	L :Axial foot type floating joint	
	F :Flange type floating joint	

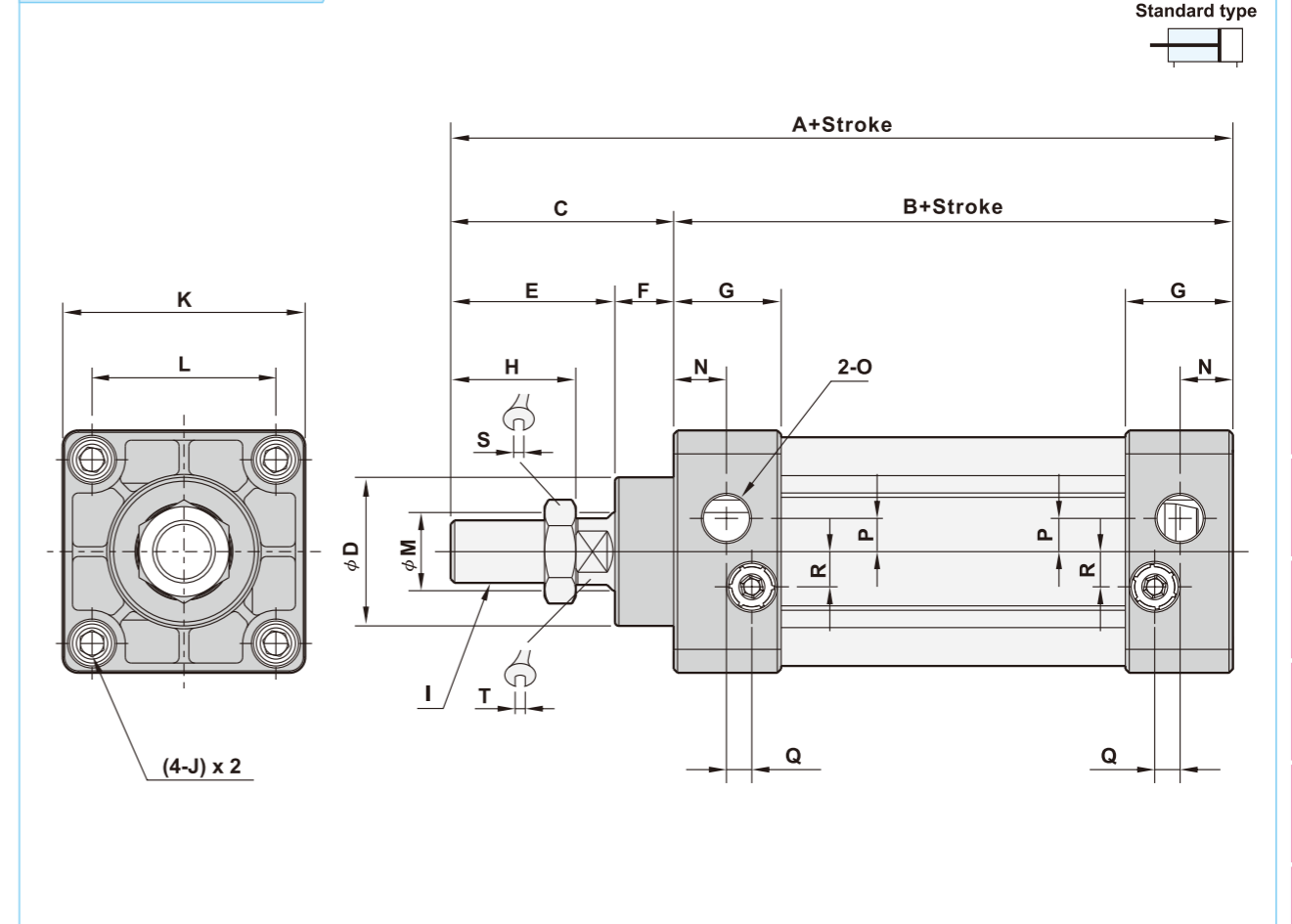
*Please refer to P3-183~P3-184

Specifications

Bore size	φ 32	φ 40	φ 50	φ 63	φ 80	φ 100
Port size	1/8"	1/4"		3/8"		1/2"
Fluid	Compressed air					
Acting	Double acting					
Operating pressure range	1.5 ~ 9.5 kgf/cm ²					
Barrel material	Aluminum alloy					
Cushion	Built in					
Magnet	Option					
Ambient temperature	-5°C ~ 60°C					
Piston speed	50~700mm/Sec.					

Dimensions

ISO6430 Standard type



TC:ISO6430 Standard type

Pneumatic Actuators
Standard
IC
ICE
ICL
TC
STC

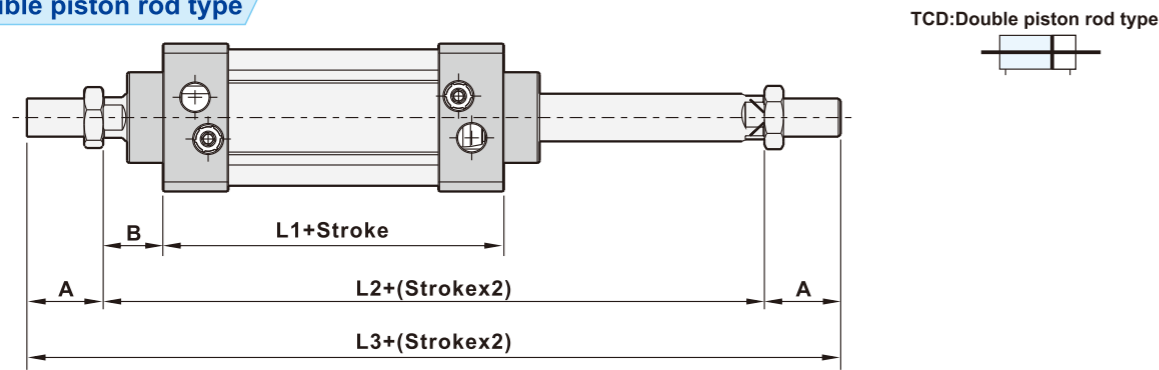
(Unit: mm)

Bore size	A	B	C	D	E	F	G	H	I	J
φ 32	140	93	47	φ 28	32	15	27.5	22	M10xP1.25	M6xP1.0
φ 40	142	93	49	φ 32	34	15	27.5	24	M12xP1.25	M6xP1.0
φ 50	150	93	57	φ 34	42	15	27.5	32	M16xP1.5	M6xP1.0
φ 63	153	96	57	φ 34	42	15	29	32	M16xP1.5	M8xP1.25
φ 80	183	108	75	φ 47	54	21	33	40	M20xP1.5	M10xP1.5
φ 100	189	114	75	φ 47	54	21	33	40	M20xP1.5	M10xP1.5

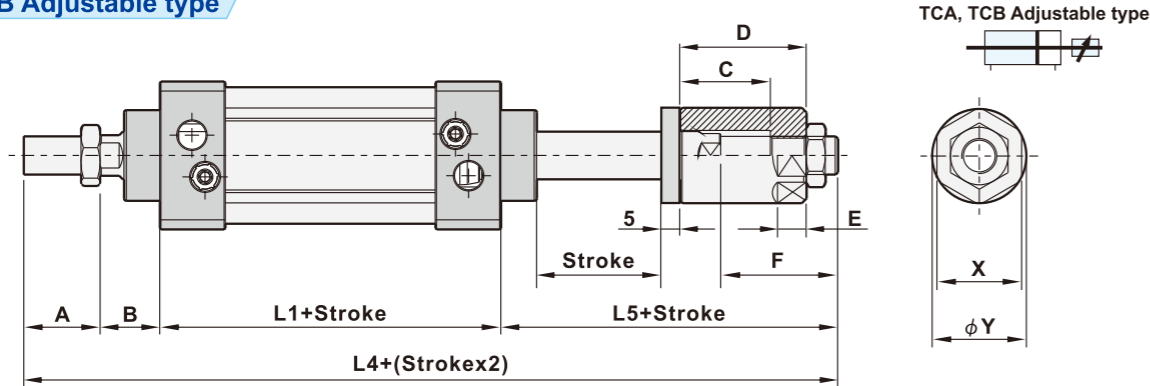
Bore size	K	L	M	N	O	P	Q	R	S	T
φ 32	45	33	φ 12	13.75	G 1/8	3.5	6.5	7	17	10
φ 40	50	37	φ 16	13.5	G 1/4	6	6	7	19	13
φ 50	62	47	φ 20	13.5	G 1/4	8.5	5.5	9	24	17
φ 63	75	56	φ 20	14.5	G 3/8	8.5	5.5	9	24	17
φ 80	94	70	φ 25	16.5	G 3/8	10	7.5	14	26	22
φ 100	112	84	φ 25	16.5	G 1/2	11	7.5	14	26	22

Dimensions

TCD Double piston rod type



TCA, TCB Adjustable type



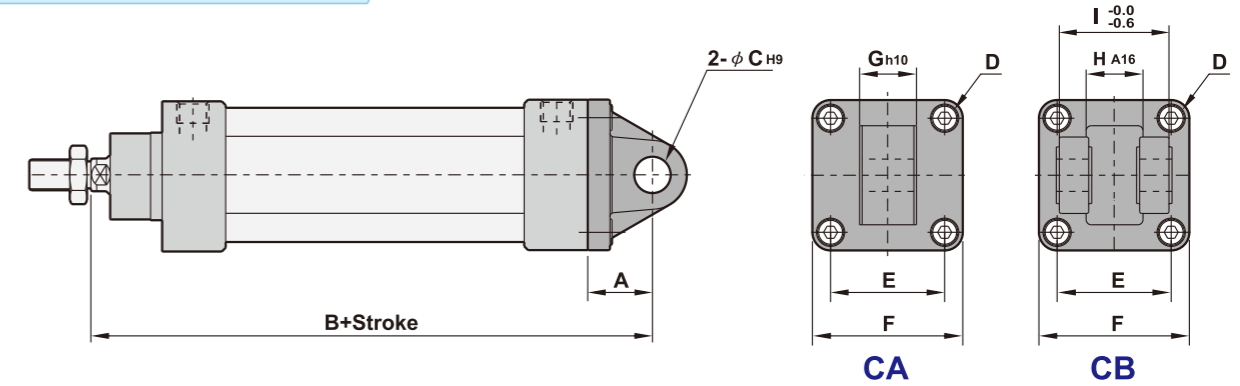
(Unit: mm)

Bore size	A	B	C		D		E	F	
			TCA	TCB	TCA	TCB		TCA	TCB
φ 32	22	25	35	62	47	72	10	49	74
φ 40	24	25	37	62	47	72	10	50	75
φ 50	32	25	38	63	53	78	12	57	82
φ 63	32	25	38	63	53	78	12	57	82
φ 80	40	35	40	65	60	85	12	62	87
φ 100	40	35	40	65	60	85	12	62	88

Bore size	L1	L2	L3	L4		L5		X	Y
				TCA	TCB	TCA	TCB		
φ 32	93	143	187	214	239	74	99	22	φ 25
φ 40	93	143	191	217	242	75	100	27	φ 30
φ 50	93	143	207	232	257	82	107	36	φ 40
φ 63	96	146	210	235	260	82	107	36	φ 40
φ 80	108	178	258	280	305	97	122	36	φ 40
φ 100	114	184	264	286	312	97	123	36	φ 40

Dimension of mounting parts

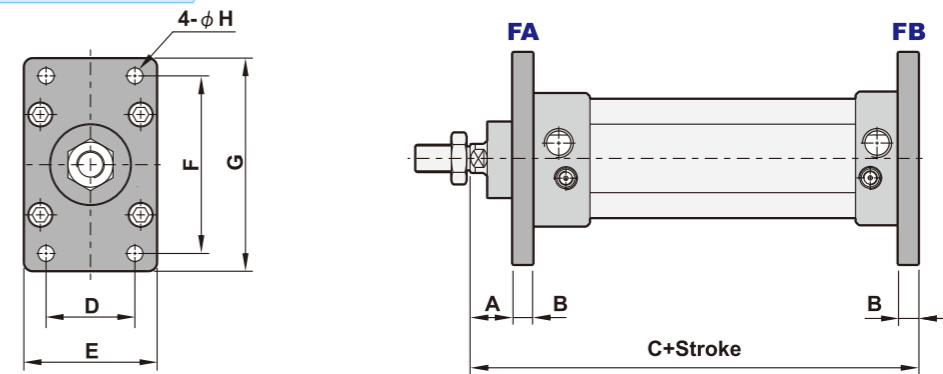
CA, CB Male & Female clevis



(Unit: mm)

Bore size	A		B		C	D	E	F	G	H	I
	CA	CB	CA	CB							
φ 32	34	19	152	137	φ 12	M6XP1.0	33	48	16	16.3	32
φ 40	34	19	152	137	φ 14	M6XP1.0	37	50	20	20.3	44
φ 50	34	19	152	137	φ 14	M6XP1.0	47	62	20	20.3	52
φ 63	34	19	155	140	φ 14	M8XP1.25	56	75	20	20.3	52
φ 80	48	32	191	175	φ 20	M10XP1.5	70	94	32	32.3	64
φ 100	48	32	197	181	φ 20	M10XP1.5	84	112	32	32.3	64

FA, FB Front & Rear flange

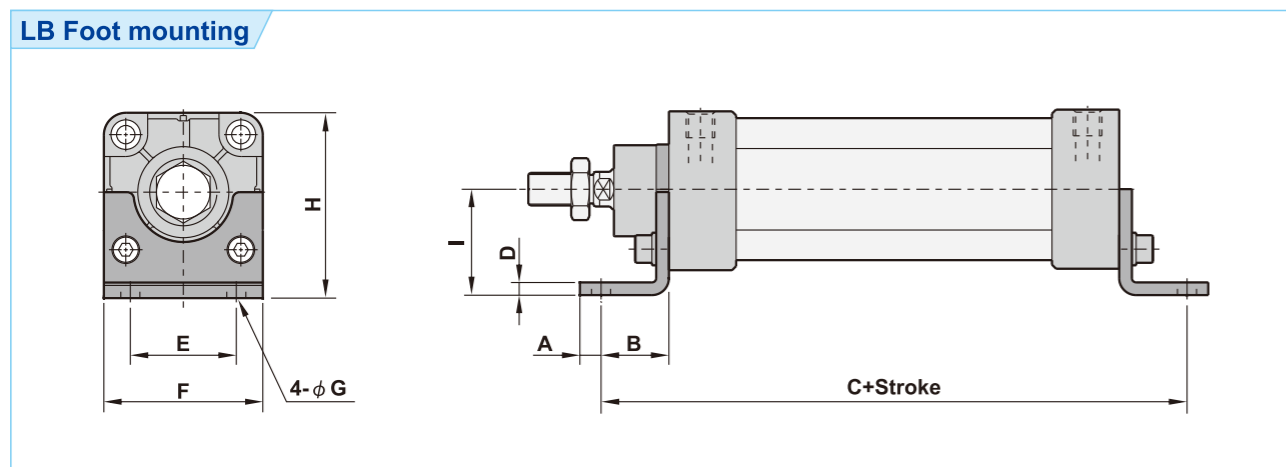


(Unit: mm)

Bore size	A	B	C	D	E	F	G	H
φ 32	15	10	128	33	47	58	72	φ 7
φ 40	15	10	128	36	52	70	84	φ 7
φ 50	15	10	128	47	65	86	104	φ 9
φ 63	13	12	133	56	76	98	116	φ 9
φ 80	19	16	159	70	95	119	143	φ 12
φ 100	19	16	165	84	115	138	162	φ 12

Dimension of mounting parts

LB Foot mounting



(Unit: mm)

Bore size	A	B	C	D	E	F	G	H	I
φ 32	9.5	20.5	134	3	33	50	φ 9	50.5	28
φ 40	14.5	23.5	140	3	37	57	φ 12	55	30
φ 50	12	28	149	3	47	68	φ 12	67.5	36.5
φ 63	13	31	158	3	56	80	φ 12	78.5	41
φ 80	16	30	168	4	70	97	φ 14	96	49
φ 100	18	30	174	4	84	112	φ 14	113	57

How to order Repair kit

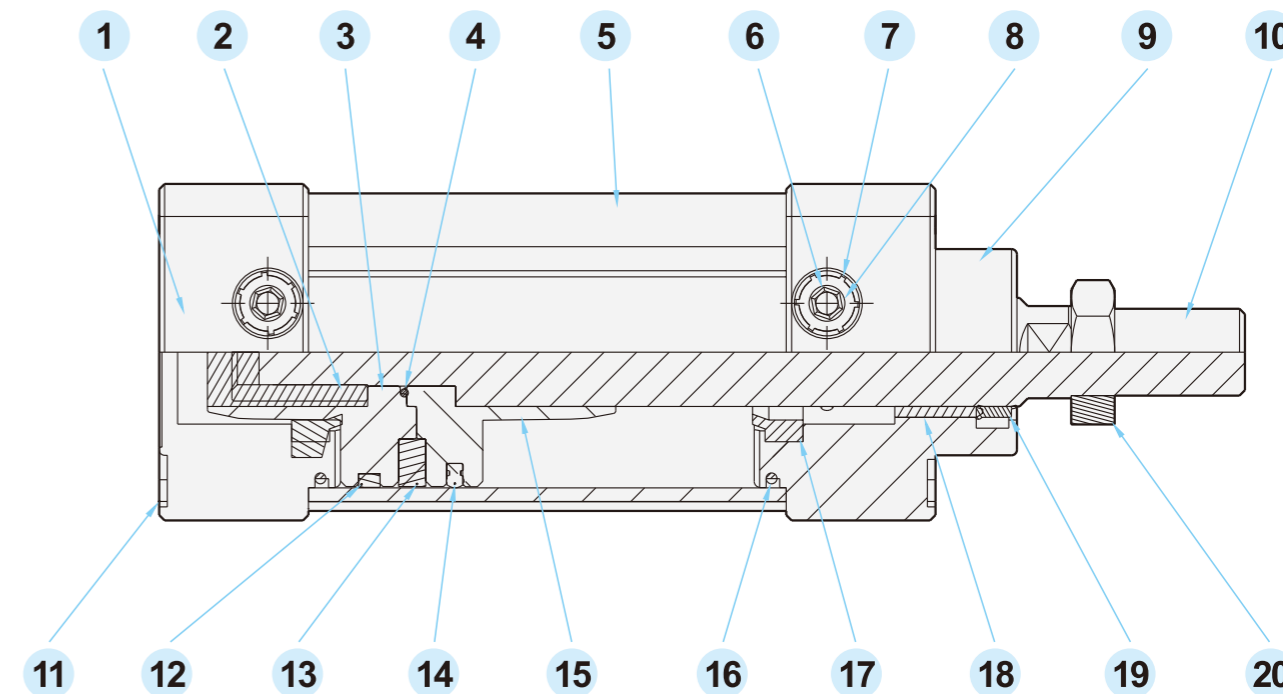
ZGCTN	—	32
Repair kit for TC Cylinder		Bore size
ZGCTN (TC)		32 : φ 32
ZGCTNB (TCD. TCA. TCB)		40 : φ 40
		50 : φ 50
		63 : φ 63
		80 : φ 80
		100 : φ 100

Repair kit :

ZGCTN	
Description	Qty.
Rod seal	1
O-ring for cushion needle	2
O-ring for front/rear cover	2
Cushion	2
U-Piston seal	1

ZGCTNB	
Description	Qty.
Rod seal	2
O-ring for cushion needle	2
O-ring for front/rear cover	2
Cushion	2
U-Piston seal	1

Material of parts



No.	Description	Material	Qty.	No.	Description	Material	Qty.
1	Rear cover	Aluminum alloy	1	11	Fixing bolt	Fe+Ni	8
2	Piston mounting nut	Brass+Ni	1	12	Wear ring	Teflon+Graphite	1
3	Rear piston	Aluminum alloy	1	13	Magnet	Rubber	1
4	O-ring	NBR	1	14	U-Piston seal	NBR	1
5	Barrel	Aluminum alloy	1	15	Front piston	Aluminum alloy	1
6	Cushion needle	Brass	2	16	O-ring for front/rear cover	NBR	2
7	Push on fastener	FeC	2	17	Cushion	PU	2
8	O-ring for cushion needle	NBR	2	18	Bushing	Brass	1
9	Front cover	Aluminum alloy	1	19	Rod seal	PU	1
10	Piston rod	S45C+Cr	1	20	Nut	Fe+Ni	1

Stroke table

Bore size	Acting	Standard stroke(mm)	Max. Standard stroke(mm)
φ 32 ~ φ 100	Double acting	25 ~ 1000	1800

Note: Please contact our sales for non-standard stroke.