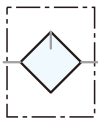


## Symbol



Lubricator

## Features

- Oil spray in mist ensures good lubrication for machines.



\*Lubricator oil (Recommended): ISO-VG32

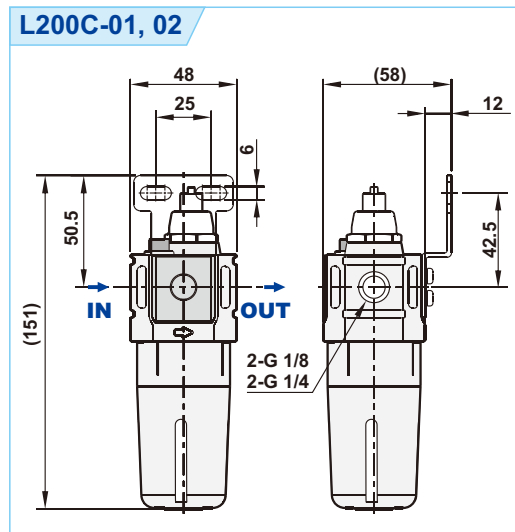
## How to order

L200C	—	02	N	B
Miniature Lubricator		<b>Port size</b>	<b>Thread</b>	<b>Mounting bracket</b>
		01 : 1/8"(option) 02 : 1/4"	Blank : G N : NPT R : Rc	Blank : W/O bracket B : W/I bracket

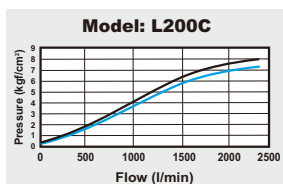
## Specifications

Model	L200C-01	L200C-02
Port size	1/8" (option)	1/4"
Fluid	Compressed air	
Body material	Aluminum die-cast	
Bowl material	Polycarbonate (Standard)	
Operating pressure range	0.5 ~ 9.9 kgf/cm <sup>2</sup>	
Proof pressure	12 kgf/cm <sup>2</sup>	
Max. flow rate l/min (ANR)	2490	
Ambient temperature	-10°C ~ 60°C	
Lubricator bowl capacity	50cc	
Net weight	245g	
Option	Mounting bracket set	

## Dimensions



## Flow chart



### Note:

X axis: Flow (l/min)  
Y axis: Pressure (kgf/cm<sup>2</sup>)  
Blue line (P0) = Outlet pressure  
Black line (P1) = Inlet pressure  
P1-P0= Pressure range